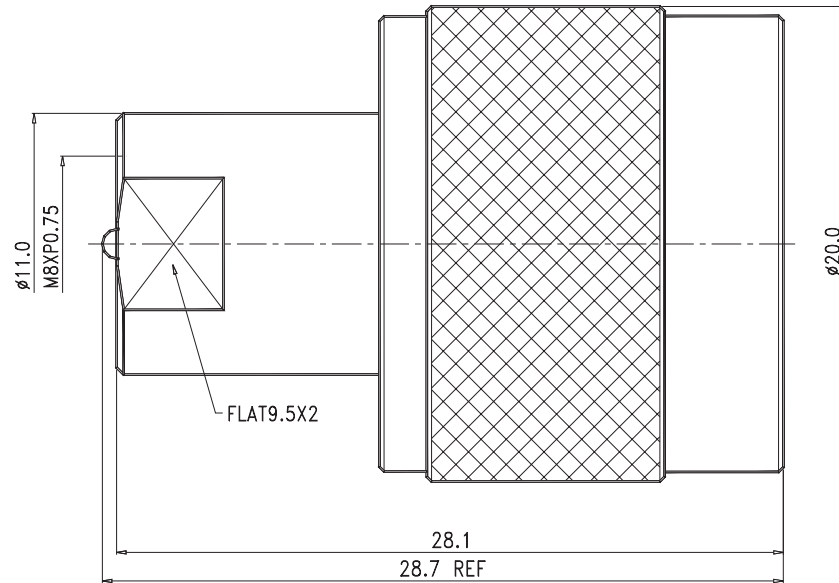


REVISION

REV	DATE	DESCRIPTION
△	9/01/20	INITIAL



8.	GASKET	SI-RUBBER	1	ORANGE
7.	Retaining RING	BRASS	1	NICKEL
6.	SHELL	BRASS	1	NICKEL
5.	CHASSIC	BRASS	1	NICKEL
4.	INSULATION 2	DELRIN	1	NONE
3.	INSULATION 1	DELRIN	1	NONE
2.	PIN	BRASS	1	GOLD
1.	BODY	BRASS	1	NICKEL
NO.	DESCRIPTION	MATERIAL	Q' TY	FINISH

UNITS	SCALE	SIZE	TOLERANCE	DRAWN BY:	CHECKED BY:	CAD FILE
[in] mm	NTS	A	.X +/- 0.2 .XX +/- 0.1 .XXX +/- 0.05 ANGLE +/- 0.5			23-09-DGN
SHEET 1 OF 1				PROPRIETARY AND CONFIDENTIAL THE INFORMATION IN THIS DRAWING IS THE SOLE PROPERTY OF TCC INDUSTRIES INC. ANY REPRODUCTION IN PARTS OR AS A WHOLE WITHOUT THE WRITTEN PERMISSION OF TCC INDUSTRIES INC. IS PROHIBITED.		

DESCRIPTION
Adapter 2-port, Straight FME, Plug/Male to N-Type Plug/Male



TCC INDUSTRIES INC.

7050 Village Drive unit E, Buena Park, CA 90621-2282
 Tel. 714.523.8885 - FAX. 714.562.0888
 E-Mail: info@tcinc.com Website: www.tcinc.com